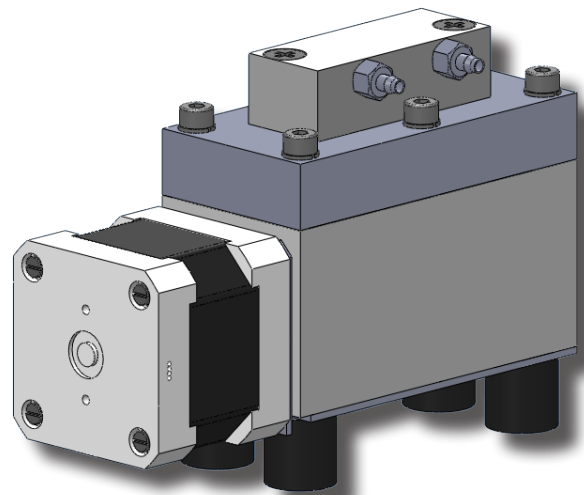


OEM VACUUM DEGASSER MODULES

OEM Module: Vacuum Pump

The *Sykam Vacuum Pump* is a 2-chamber membrane pump designed for high efficiency and long lifetime. Each chamber is sealed with 2 duckbill valves made of EPDM. The pump body is made of aluminium.

The membrane is made of a special Teflon developed for high frequency movement. Sykam offers a 5 year warranty on this membrane.



■ Order Information

| Catalog No | Module | OEM Price | |
|------------|-------------|--------------|------------------|
| | | Units / Year | Net Price / Unit |
| 10 14 003 | Vacuum Pump | 1+ | 390,00 € |
| | | 10+ | 312,00 € |
| | | 50+ | 253,00 € |
| | | 100+ | 195,00 € |

OEM Module: Controller Board

The *S 7150 Controller Board* controls the whole de-gassing process. It includes the stepper motor driver for the vacuum pump, a vacuum sensor for detection of the current vacuum and a RS-232 serial communication interface for external control.

The RS-232 interface offers the following features:

- reading of current status (building up vacuum, normal operation, or vacuum failure)
- setting the vacuum pump's speed (low, medium or high)
- setting the vacuum hysteresis in mBar (for

hysteresis mode)

- setting the vacuum failure threshold in mBar
- setting the vacuum failure time (in minutes)
- setting the operation mode of either *Constant Run*, or *Hysteresis* operation, which switches the vacuum pump on and off, depending of vacuum level.

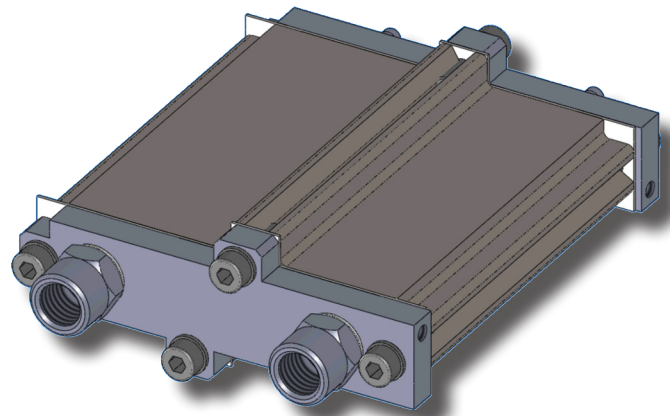
The *S 7150 Controller Board* needs a 24V DC power supply for operation.

An optional LCD/Keyboard unit is also available.

OEM Module: Vacuum Chamber

The *Sykam Vacuum Chamber* is made of aluminium. The liquid capillary connectors are made of stainless steel or PEEK.

The inner capillaries are Teflon AF® tubing with an inner volume of < 500 µl. The Teflon AF® has a much higher gas diffusion efficiency than conventional Teflon. This allows the usage of a smaller length of capillary to reduce the dead volume of the system considerably.



■ Order Information

| Catalog No | Module | OEM Price | |
|------------|----------------|--------------|------------------|
| | | Units / Year | Net Price / Unit |
| 10 71 015 | Vacuum Chamber | 1+ | 295,00 € |
| | | 10+ | 265,00 € |
| | | 50+ | 191,00 € |
| | | 100+ | 148,00 € |

OEM Module: Complete 4-Channel Degasser System

Sykam offers a ready-made 4-Channel Vacuum Degasser system, consisting of the following modules:

- 1x Vacuum Pump
- 4x Vacuum Chamber
- 1x Controller PCB

This system requires a 24V power supply and can be controlled via RS-232.

■ Order Information

| Catalog No | Module | OEM Price | |
|------------|--------------------|--------------|------------------|
| | | Units / Year | Net Price / Unit |
| 10 18 004 | 4-Channel Degasser | 1+ | 1.800,00 € |
| | | 10+ | 1.548,00 € |
| | | 50+ | 1.118,00 € |
| | | 100+ | 860,00 € |

Sykam GmbH

Systeme & Komponenten analytischer Meßtechnik

Gewerbering 15
86922 Eresing
Germany

Tel.: ++49 (8193) 93 82 - 0
FAX: ++49 (8193) 93 82 - 20
EMail: Info@sykam.com
Web: http://www.sykam.com

