

NEW!

SYKAM OEM SYSTEMS & MODULES

■ Sykam OEM Instruments

All *Sykam* instruments are available as OEM products. Every single instrument is available with your Logo and your company colors, even in small quantities. A neutral manual or a manual adjusted to your company colors with logo is supplied together with any accessories needed.

Please contact us for any inquiries regarding instrument OEM.

■ Sykam OEM Modules

Sykam offers a whole range of ready-to-use OEM modules, from pump modules to autosampler assemblies and detectors. These modules can be supplied as mechanical assemblies, or together with PCBs for full control. All modules are tested and adjusted before delivery — you only need to mount them into your instrument.

Specific changes can be implemented in every module according to customer needs.

■ Sykam Pump Module

Sykam offers its *Dual-Piston Pump Module* as an OEM assembly. It is offered as Micro, Analytical, or Semi-Preparative version, and can easily be upgraded to a *Quaternary Gradient* pump with or without *Vacuum Degasser* system.

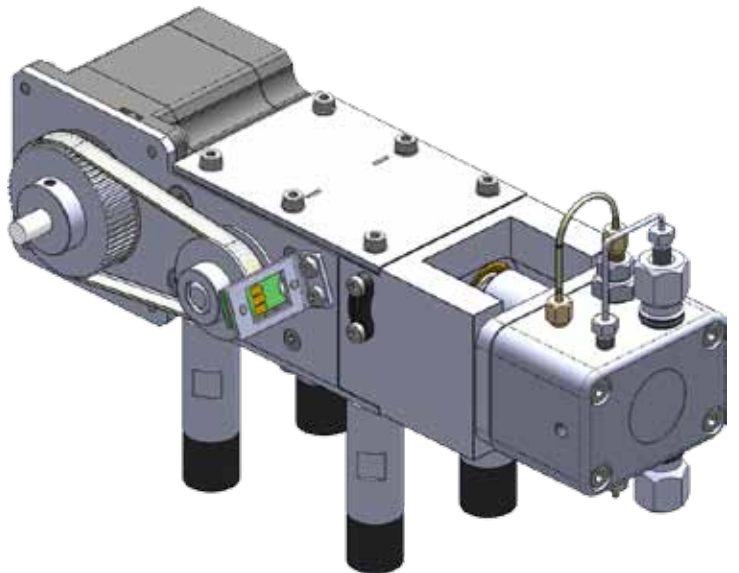


Figure: Pump Module

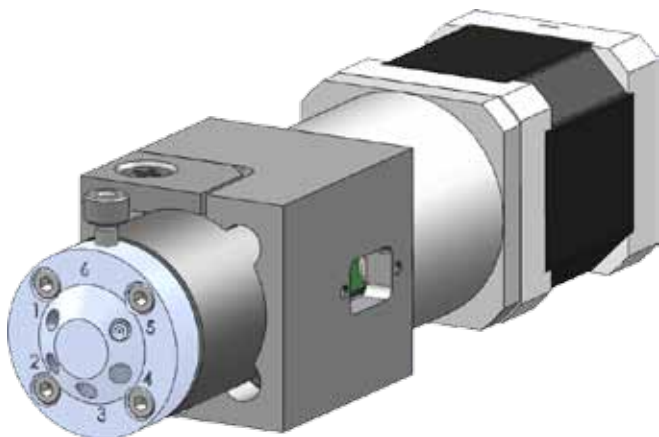


Figure: 2-Position Injection Valve Drive Module w. integrated Injection Port

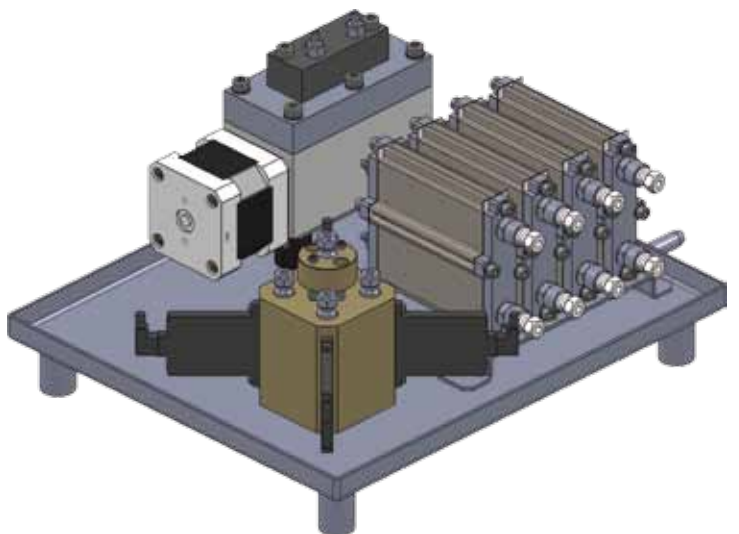


Figure: Quaternary Gradient Module with Vacuum Degasser

■ Sykam Autosampler Assembly

The **Sykam Autosampler Assembly** can be offered in different sizes, from single rack, low-capacity to multi-rack high-capacity versions. **The dimensions of all axis (X, Y, and Z) can individually be adjusted to (almost) any size required.** The standard assembly features 2 vial-racks with 60 vials each, a reagent vial holder for the derivatization option, a wash port for needle cleaning and an injection valve with integrated injection port and 100 l sample loop. A sample rack heating/cooling module can be added optionally.

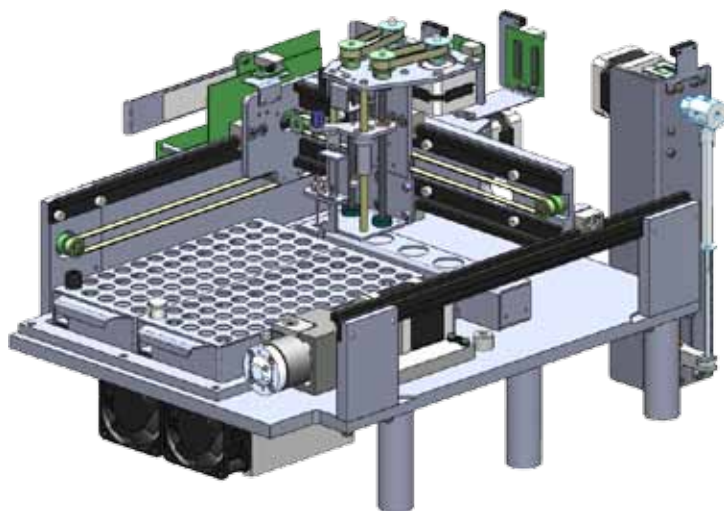


Figure: Autosampler Assembly

■ Sykam Syringe Drives

As a companion for the **Sykam Autosampler Assembly** or stand-alone, the **Sykam Syringe Drives** offers a flexible system for any dosing tasks.

The **Syringe Drives** are available as **Full-Size**

or **Compact** version for either 60mm-stroke and 30mm-stroke syringes respectively.

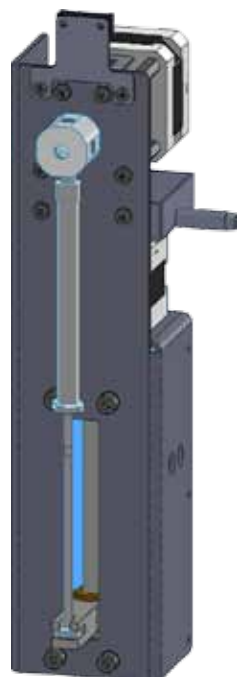


Figure: Full-Size Syringe Drive

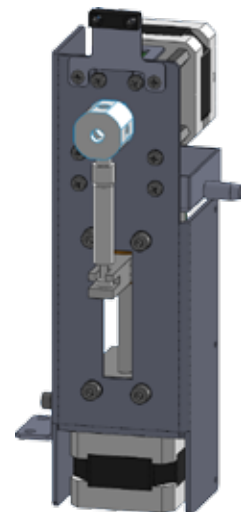


Figure: Full-Size Syringe Drive

■ Sykam UV/Vis Detector Module

The **Sykam UV/Vis Detector Module** is a 2-Lamp, variable wavelength detector module, suitable for operation between 190 and 900 nm. It's low-noise, high linearity electronic is available in a 1-Channel, or 2-Channel version and can be upgraded with a Spectrum Scan option.

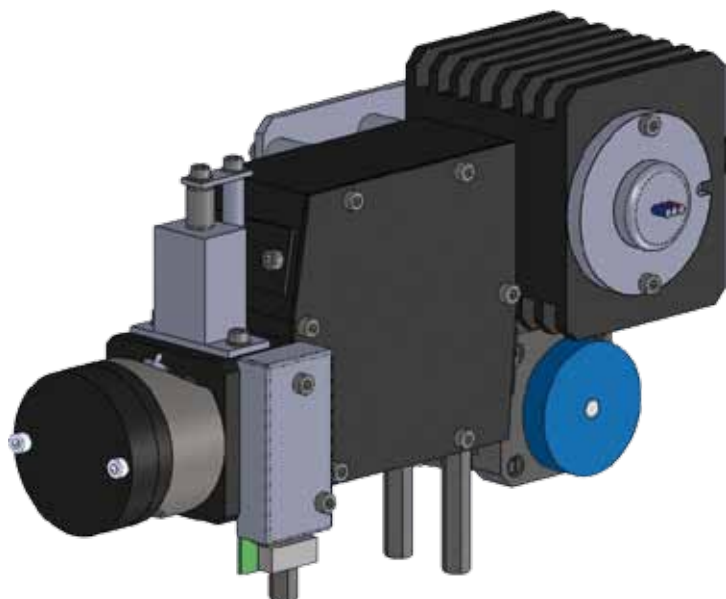


Figure: UV/Vis Variable Wavelength Detector Module

Sykam GmbH

Systeme & Komponenten analytischer Meßtechnik

Gewerbering 15
86922 Eresing
Germany

Tel.: ++49 (8193) 93 82 - 0
FAX: ++49 (8193) 93 82 - 20
EMail: Info@sykam.com
Web: http://www.sykam.com