

S 1125 HPLC PUMP SYSTEM

The **Sykam S 1125 HPLC Pump System** is a very flexible and powerful HPLC solvent delivery system. The system is available as Isocratic HPLC pump and Quaternary Gradient Pump with optional integrated online vacuum degasser.

■ Quaternary Gradient Pump

The **S 1125G Quaternary Gradient Pump** incorporates an active low pressure mixer with adjustable mixing volume. The mixing chamber volume can be freely adjusted. An optional integrated vacuum degasser removes dissolved gases in the eluents and prevents air bubbles in the system.



■ Pump Mechanic

Stepper Motor

The S 1125 is driven by a high-power stepper motor. The stepper motor has a much better resolution in the low-flow range than a conventional DC motor.

Lubrication

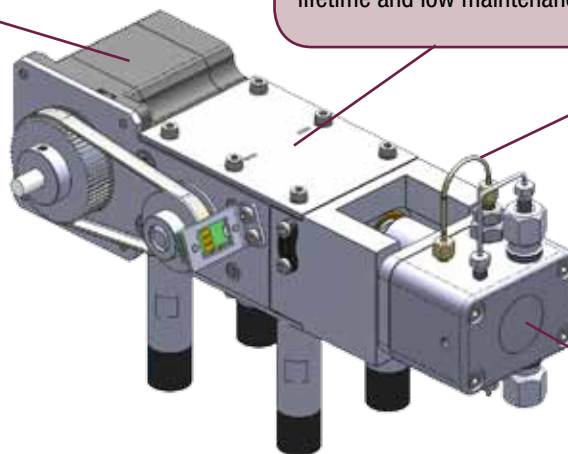
The S 1125 camshaft is constantly lubricated within a sealed chamber to guarantee long lifetime and low maintenance.

Optional: Active Piston Backflushing

The S 1125's pump head incorporates an automatic piston backflushing system; this system is interchangeable with old Sykam pumps and does not require an additional motor.

Dual-Piston Pumphead

The S 1125 pumps use a dual-piston pumphead for low pulsation. Together with electronic pressure compensation the S 1125 pumps are suitable for all analytical tasks in HPLC and GPC.



The system is available with Micro or Analytical pumphead in Stainless Steel or PEEK.

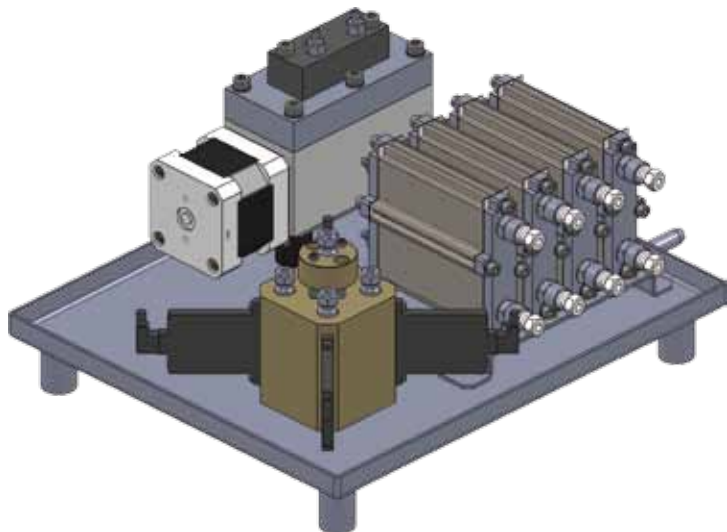


Figure: Quaternary Gradient Mixer Module with Vacuum Degasser

■ Technical Specifications

Wetted Materials:	Stainless Steel / PEEK*, Teflon AF®, PVDF, Ceramics, Sapphire, Ruby
Flow Rate:	Programmable Micro: 0.001 - 4.000 ml/min Analytical: 0.001 - 10.000 ml/min Semi-Preparative: 0.1 - 40.000 ml/min
Flow Accuracy:	± 1.0 % 1.000 ml / min
Flow Precision:	± 0.1 % RSD 1.000 ml/min
Pressure Range:	0 – 40 MPa (0 – 6000 PSI) Semi-Preparative: 20 MPa (up to 20.000 ml/min); 10 MPa (up to 40.000 ml/min)
Pressure Pulsation:	typical < 0.1 MPa or < 1.0 %
Compressibility Compensation:	user-adjustable for different solvents
Dimensions: (W x H x D)	310 x 165 x 478 mm
Power Supply:	100 - 250 ~V (47 - 63 Hz)

* depending on configuration

■ S 1125G Quaternary Gradient Pump

Vacuum Degassing:	<i>optional:</i> < 20% dissolved gases remaining in water @ 1.000 ml/min
Gradient Range:	0.0 – 100.0 %, 4 channels
Gradient Accuracy:	< 0.50 %
Gradient Mixing:	Active
Mixer Volume:	adjustable: 10 – 500 µl

■ Order Information

■ S 1125 Isocratic HPLC Pump

Catalog No	Description
10 10 087	S 1125 Isocratic HPLC Pump – Micro – SS
10 10 089	S 1125 Isocratic HPLC Pump – Micro – PEEK
10 10 086	S 1125 Isocratic HPLC Pump – Analytical – SS
10 10 088	S 1125 Isocratic HPLC Pump – Analytical – PEEK
10 10 099	S 1125 Isocratic HPLC Pump – Semi-Prep. – SS
10 10 100	S 1125 Isocratic HPLC Pump – Semi-Prep. – PEEK
20 20 061	<i>option:</i> Active Piston Backflushing

■ S 1125G Quaternary Gradient Pump

Catalog No	Description
10 10 095	S 1125G Quaternary Gradient Pump – Micro – SS
10 10 097	S 1125G Quaternary Gradient Pump – Micro – PEEK
10 10 094	S 1125G Quaternary Gradient Pump – Analytical – SS
10 10 096	S 1125G Quaternary Gradient Pump – Analytical – PEEK
10 10 116	S 1125G Quaternary Gradient Pump – Semi-Prep. – SS
10 10 117	S 1125G Quaternary Gradient Pump – Semi-Prep. – PEEK
10 10 085	<i>option:</i> Vacuum Degasser
20 20 061	<i>option:</i> Active Piston Backflushing

Sykam GmbH

Systeme & Komponenten analytischer Meßtechnik

Gewerbering 15
86922 Eresing
Germany

Tel.: ++49 (8193) 93 82 - 0
FAX: ++49 (8193) 93 82 - 20
EMail: Info@sykam.com
Web: http://www.sykam.com

* all instrument are also available in Micro or Semi-Preparative configurations on request