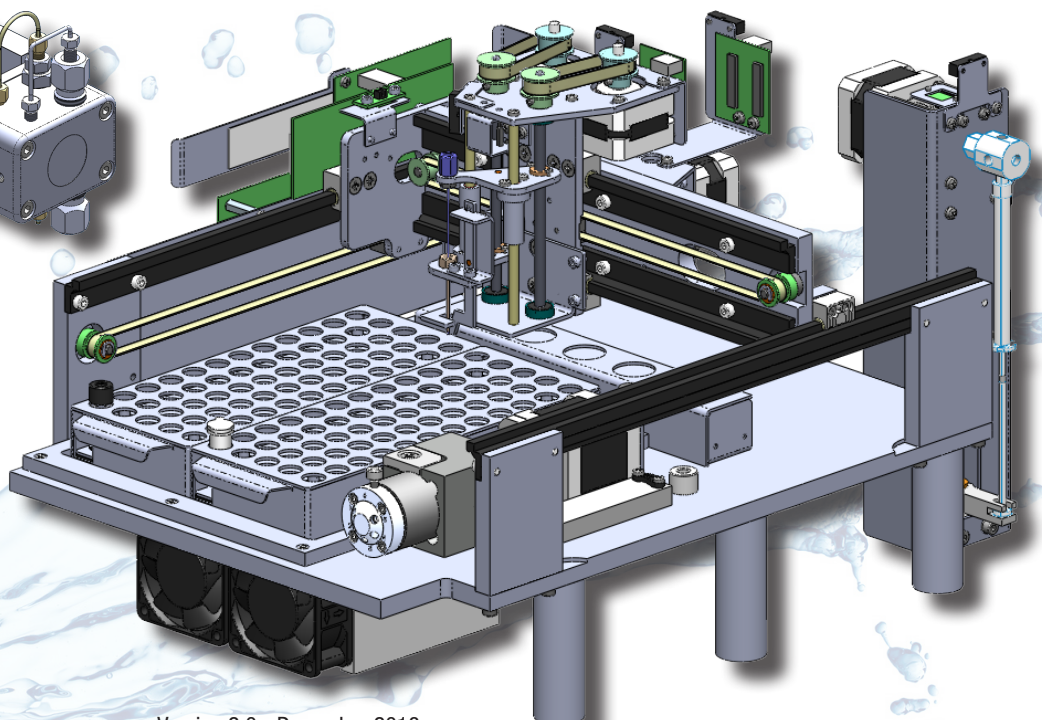
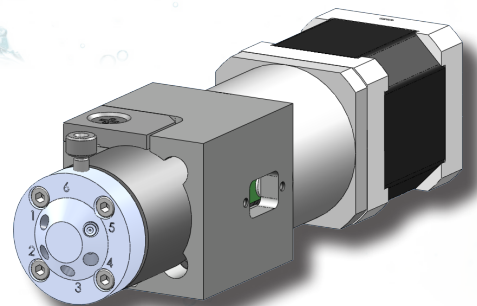
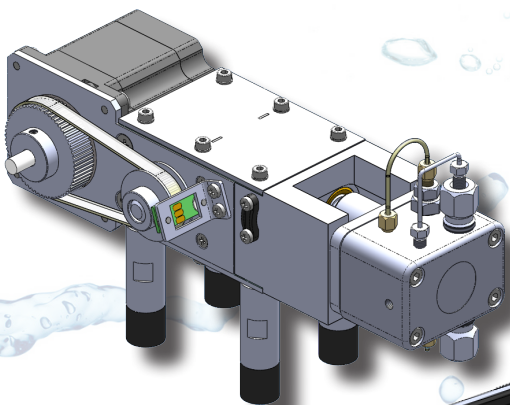


CHROMATOGRAPHY MADE IN GERMANY

OEM SOLUTIONS

INSTRUMENTS, MODULES & CUSTOM DEVELOPMENTS

- ◆ OEM HPLC INSTRUMENTS & SYSTEMS
- ◆ OEM MODULE DEVELOPMENT
- ◆ OEM BUILT-IN MODULES
- ◆ CUSTOMER-SPECIFIC DEVELOPMENT



SYKAM OEM INSTRUMENTS & SYSTEMS

Sykam offers the whole product range to OEM customers - from single instruments to whole HPLC systems.

Low Entry Costs

All OEM instruments and systems are available at a very low entry cost; no annual minimum numbers are required, but a small investment of 10 sets of cabinets (with specific base color and silk printing) are charged in advance. This advance charge is counted against the individual orders.

Predictable Cost Structure

We offer the highest discount from the first unit ordered! In this way you have the possibility to realize your ideas with the lowest cost even with small quantities.

Customer Specific Adaptions

The Sykam instruments offer a wide variety of options and possibilities, but sometimes that is not enough.

There is always the possibility for customer-specific adaptions - from specific standard accessories to firmware or hardware changes.

Just contact us and discuss with us what you need!



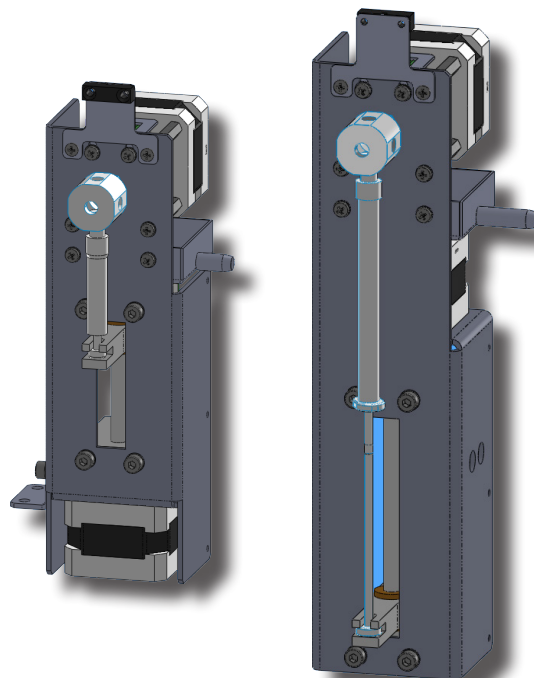
SYKAM OEM BUILT-IN MODULES

Besides OEM Instruments & System, Sykam also offers all functional modules of the existing instruments as built-in modules. These modules can be adapted to your specific need and scope.

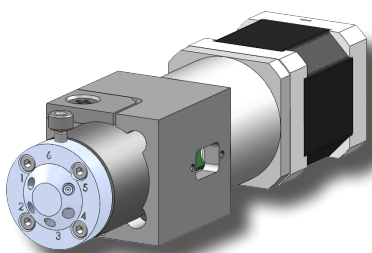
Fast Implementation

By using OEM built-in modules, the development time is cut tremendously. The modules are available with controller PCB or without. In case of module integration within existing electronic controls, we assist with all technical documentation required.

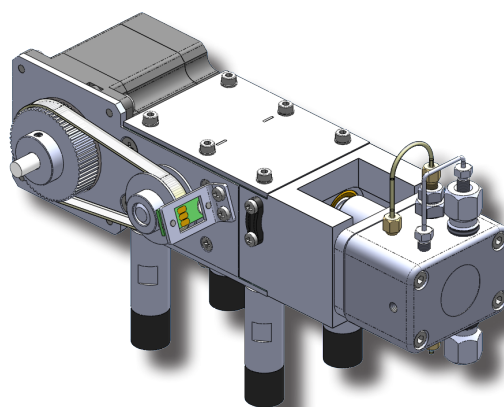
The functionality ranges from liquid handling and dosing to detector systems and automatization. If you have a project let us know if may help!



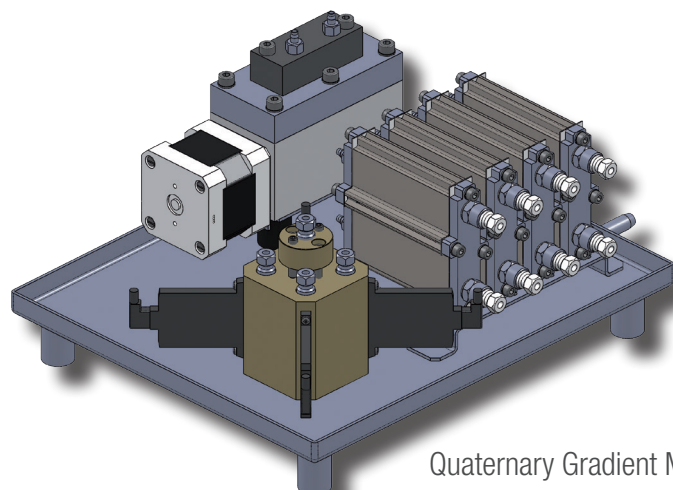
30/60mm Syringe Drive Modules



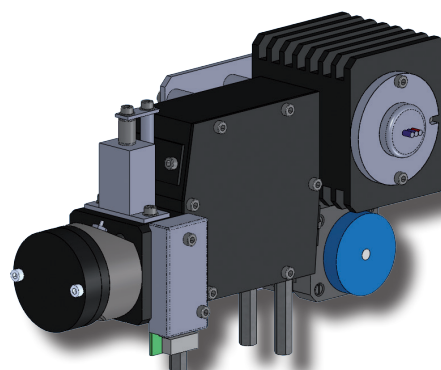
2-Pos. Valve Actuator



2-Piston Pump Mechanic Module



Quaternary Gradient Mixer
with Vacuum Degasser



UV/Vis Detector Optic

SYKAM CUSTOMER-SPECIFIC DEVELOPMENT

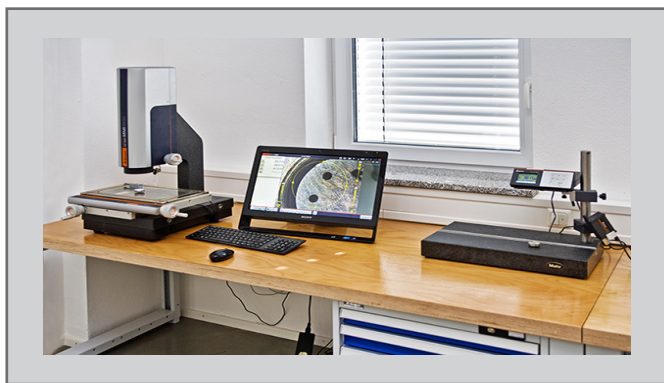
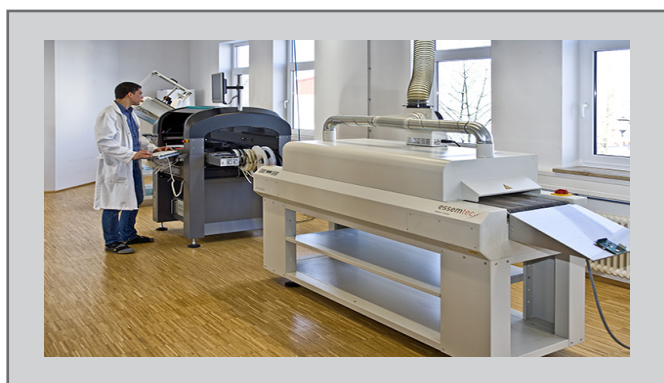
A part of our OEM business is also the customer-specific development of single modules or whole instruments.

Our Capabilities

Sykam has very deep manufacturing capabilities. Our equipment ranges from a variety of CNC machinery (manual to 5-axis) to our own PCB assembly and testing.

In this way we are capable of a high degree of independence and the flexibility to react very fast to customer needs and market changes.

Contact us with your ideas and we try to find a solution!



Sykam GmbH

Systeme & Komponenten analytischer Meßtechnik

Gewerbering 15
86922 Eresing
Germany

Tel.: +49 (8193) 93 82 - 0
FAX: +49 (8193) 93 82 - 20
EMail: info@sykam.com
Web: <http://www.sykam.com>



All specifications are subject to change without notice.